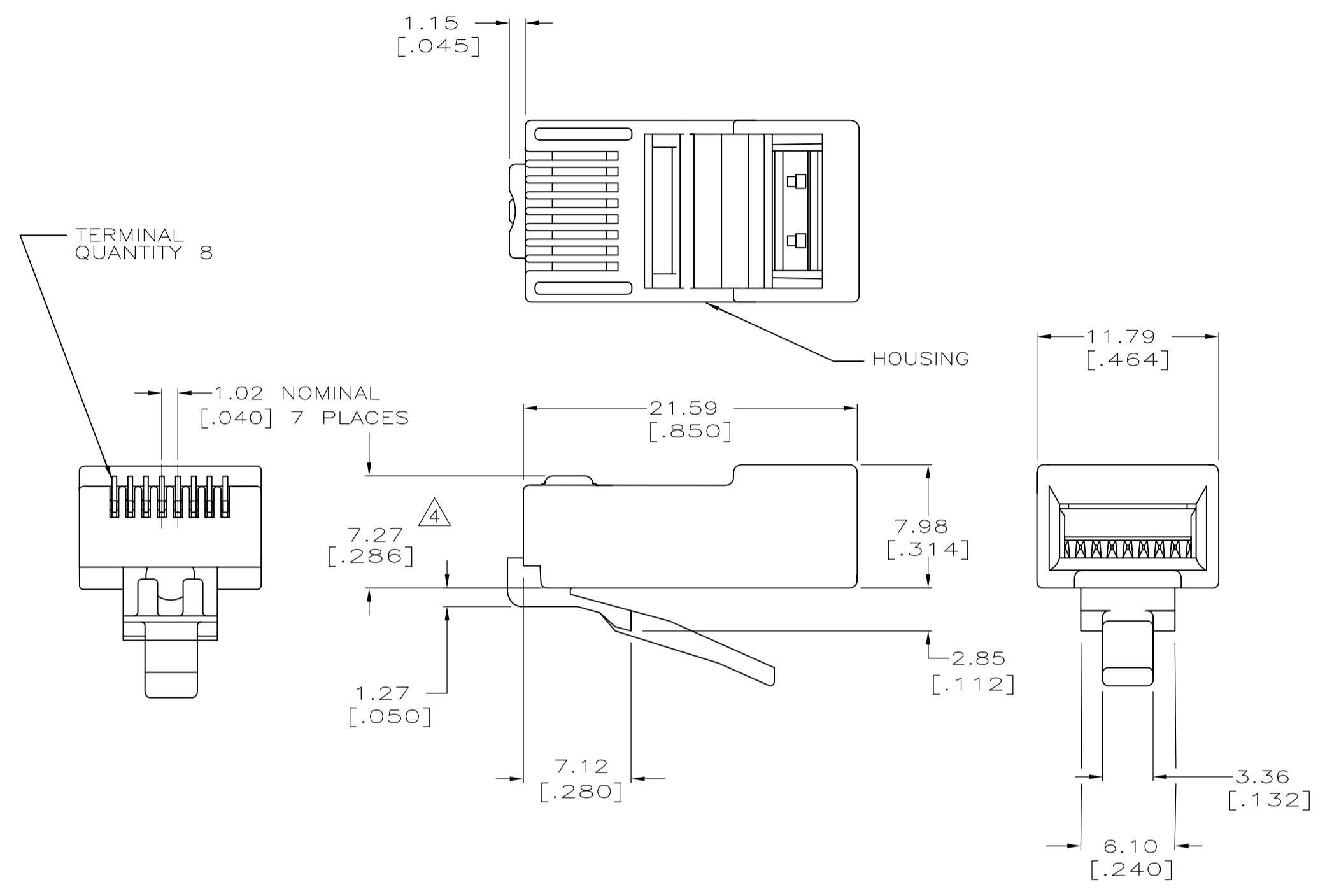


LOC	DIST	REVISIONS			
P	LTR	DESCRIPTION	DATE	DWN	APVD
B		ECO-06-021606	13OCT06	JM	CD
C		REV ECO-08-004864	29FEB08	LH	BM



- 1. DIMENSIONS ARE MAXIMUM UNLESS OTHERWISE SPECIFIED.
- 2. MATERIAL: HOUSING- POLYCARBONATE BLUE. TERMINAL- PHOSPHOR BRONZE, PLATED WITH 1.27 μ m [.000050] MINIMUM THICK GOLD IN LOCALIZED GOLD PLATE AREA, GOLD FLASH ON THE REMAINDER, OVER 2.54 μ m [.000100] MINIMUM THICK NICKEL UNDERPLATE.
- 3. PLUG WILL ACCEPT 26 OR 28 AWG SOLID WIRE, 0.74-0.86 [.029-.034] DIAMETER, WITH AN OVAL CABLE JACKET OF 2.29 X 8.77 [.090 X .345] MAXIMUM.
- 4. TERMINATED DIMENSION 6.15 [.242] MAXIMUM.
- 5. 1000 ASSEMBLIES PER PACKAGE.
- 6. 100 ASSEMBLIES PER PACKAGE.

6	5-557972-3
5	5-557972-2
PACKAGED	PART NO.

THIS DRAWING IS A CONTROLLED DOCUMENT.		DWN B. SIMPSON 6-9-93	Tyco Electronics Corporation Harrisburg, PA 17105-3608	
DIMENSIONS: mm [INCHES]		CHK C. WHITT 6-17-93	NAME HAWKINS/MCGRATH	
TOLERANCES UNLESS OTHERWISE SPECIFIED:		APVD 6-21-93	PRODUCT SPEC 108-1163	
0 PLC ± -		APPLICATION SPEC 114-6016		
1 PLC ± -		WEIGHT -		
2 PLC ± -		SIZE A2		
3 PLC ± -		CAGE CODE 00779		
4 PLC ± -		DRAWING NO 557972		
ANGLES ± -		RESTRICTED TO		
FINISH		CUSTOMER DRAWING		
MATERIAL		SCALE 4:1 SHEET 1 OF 1 REV C		